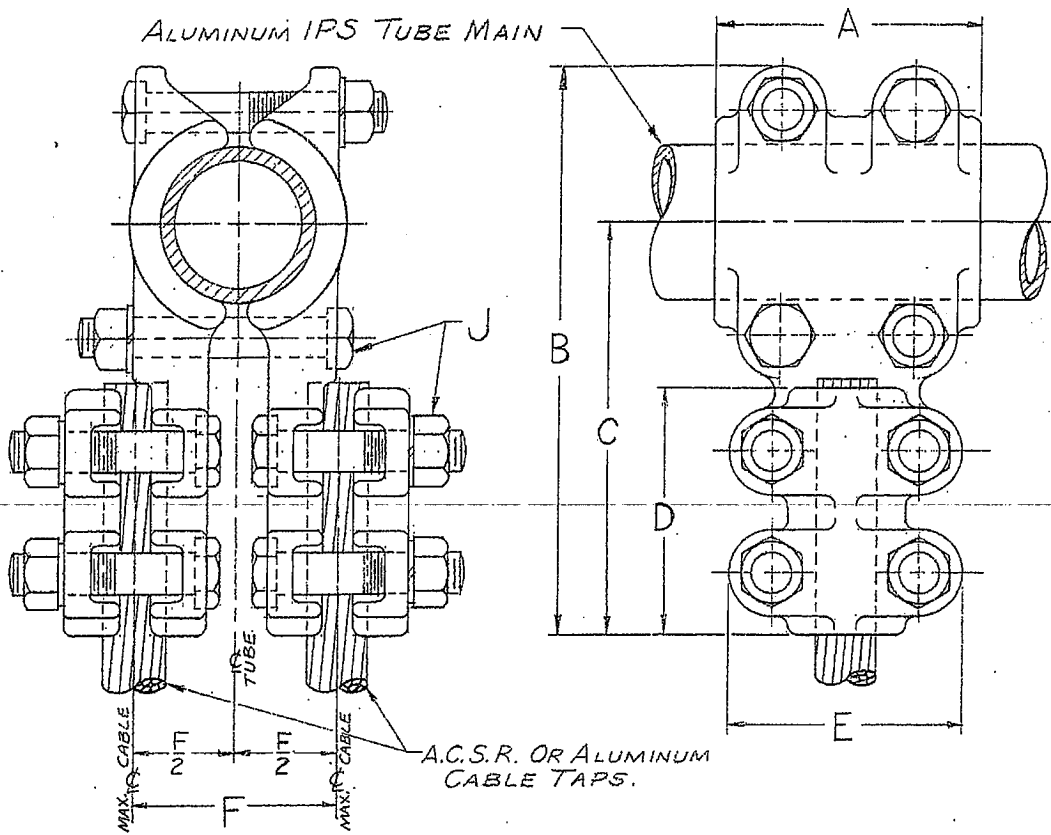


ALUMINUM IPS TUBE MAIN



NOTES

1. MATERIAL - CASTINGS: ALUMINUM ALLOY #356-T6 ; HARDWARE: ALUMINUM ALLOY #2024T4 BOLTS; WASHERS 7075T6; NUTS - 6061-T6 ALUM.; LUBRICATED
2. INSTALLATION : ONE WRENCH REQUIRED.
3. \* ITEMS FURNISHED WITH MULTICAPS FOR CABLE. CAT. NO. IS ATT2CM -

CONDUCTOR SIZES			CATALOG NUMBER	DIMENSIONS IN INCHES.						
MAIN	TAPS (TWO)			A	B	C	D	E	F	J
AL. TPS	A.C.S.R.	ALUM. CABLE								
3/4	#4 - 4/0	#4 - 250	ATT2C-066	2 1/2	6 1/8	4 5/8	3	2 7/16	2 3/8	1/2
3/4	4/0 - 336	250-400	ATT2C-067	2 1/2	6 1/8	4 5/8	3	2 7/16	2 1/2	1/2
3/4	336-477	350-600	ATT2C-069	2 1/2	6 3/8	4 7/8	3 1/4	2 11/16	2 3/4	1/2
3/4	556.5 - 795	600-900	ATT2C-0611	2 1/2	6 5/8	5 1/8	3 1/2	2 15/16	2 3/4	1/2
1	#4 - 4/0	#4 - 250	ATT2C-106	2 3/4	6 3/8	4 3/4	3	2 7/16	2 3/8	1/2
1	4/0 - 336	250-400	ATT2C-107	2 3/4	6 3/8	4 3/4	3	2 7/16	2 1/2	1/2
1	336 - 477	350-600	ATT2C-109	2 3/4	6 5/8	5	3 1/4	2 11/16	2 3/4	1/2
1	556.5 - 795	600-900	ATT2C-1011	2 3/4	6 7/8	5 1/4	3 1/2	2 15/16	2 3/4	1/2
1 1/4	#4 - 4/0	#4 - 250	ATT2C-126	3	6 3/4	4 15/16	3	2 7/16	2 3/8	1/2

REF. C-1907

09-26-02 9 ADDED ATT2C-70MM11 TO CHART EC 5603 WSB

R-034.58789

DATE 4-2-58  
 DWN BY WDS CKD BY  
 APPROVED KS  
 SCALE

ALUMINUM TEE CONNECTOR  
 ALUM. TUBE MAIN 90° TO TWO  
 A.C.S.R. OR ALUMINUM CABLE TAPS.

ANDERSON ELECTRIC CORP.  
 BIRMINGHAM ALABAMA  
 CAT. NO. ATT2C (TAB.) DWG. NO. C-1753

DATE	NO.	DESCRIPTION	BY	MAIN			CABLE			TAP			CATALOG			DIMENSIONS IN INCHES					
				IPS	ACSR	ALUM.	NUMBER	A	B	C	D	E	F	G	H	I	J				
5-22-73	6	ADDED ATT2C-6013	RH	7/4"	4/0-336	250-400	ATT2C-127	3	6 3/4	4 15/16	3	2 7/16	2 1/2	1/2							
5-1-74	7	REVISED VARIOUS TABS	HDY	7/4"	336-477	350-600	ATT2C-129	3	7	5 3/16	3 1/4	2 1/16	2 3/4	1/2							
2-13-81	8	ADDED ATT2C-5015	HDY	7/4"	556.5-795	600-900	ATT2C-1211	3	7 1/4	5 7/16	3 1/2	2 5/16	2 3/4	1/2							
				7/2"	*4-4/0	*4-250	ATT2C-146	3 1/4	6 5/16	5 1/32	3	2 7/16	2 3/8	1/2							
				7/2"	4/0-336	250-400	ATT2C-147	3 1/4	6 5/16	5 1/32	3	2 7/16	2 1/2	1/2							
				7/2"	336-477	350-600	ATT2C-149	3 1/4	7 3/16	5 9/32	3 1/4	2 4/16	2 3/4	1/2							
				7/2"	556.5-795	600-900	ATT2C-1411	3 1/4	7 1/16	5 1/32	3 1/2	2 5/16	2 3/4	1/2							
				1 1/2"	715-1113	900-1250	ATT2C-1413	3 1/4	7 1/16	5 25/32	3 3/4	3 3/16	2 7/8	1/2							
				2	4/0-336	250-400	ATT2C-207	3 1/2	7 7/16	5 9/32	3	2 7/16	2 1/2	1/2							
				2	336-477	350-600	ATT2C-209	3 1/2	7 1/16	5 1/32	3 1/4	2 4/16	2 3/4	1/2							
				2	556.5-795	600-900	ATT2C-2071	3 1/2	7 15/16	5 25/32	3 1/2	2 5/16	2 3/4	1/2							
				2	715-1113	900-1250	ATT2C-2073	3 1/2	8 3/16	6 1/32	3 3/4	3 3/16	2 7/8	1/2							
				2 1/2	4/0-336	250-400	ATT2C-247	3 3/4	7 5/16	5 1/32	3	2 7/16	2 1/4	1/2							
				2 1/2	336-477	350-600	ATT2C-249	3 3/4	8 3/16	5 25/32	3 1/4	2 4/16	2 3/4	1/2							
				2 1/2	556.5-795	600-900	ATT2C-2411	3 3/4	8 7/16	6 1/32	3 1/2	2 5/16	2 3/4	1/2							
				2 1/2	715-1113	900-1250	ATT2C-2413	3 3/4	8 1/16	6 7/32	3 3/4	3 3/16	2 7/8	1/2							
				3	4/0-336	250-400	ATT2C-307	4	8 9/16	5 27/32	3	2 7/16	2 1/2	1/2							
				3	336-477	350-600	ATT2C-309	4	8 13/16	6 3/32	3 1/4	2 4/16	2 3/4	1/2							
				3	556.5-795	600-900	ATT2C-3011	4	9 1/16	6 1/32	3 1/2	2 5/16	2 7/8	1/2							
				3	715-1113	900-1250	ATT2C-3013	4	9 5/16	6 9/32	3 3/4	3 3/16	2 7/8	1/2							
				3 1/2	4/0-336	250-400	ATT2C-347	4 1/4	9 1/16	6 3/32	3	2 7/16	2 1/2	1/2							
				3 1/2	336-477	350-600	ATT2C-349	4 1/4	9 5/16	6 1/32	3 1/4	2 4/16	2 3/4	1/2							
				3 1/2	556.5-795	600-900	ATT2C-3411	4 1/4	9 9/16	6 9/32	3 1/2	2 5/16	2 3/4	1/2							
				3 1/2	715-1113	900-1250	ATT2C-3413	4 1/4	9 13/16	6 27/32	3 3/4	3 3/16	2 7/8	1/2							
				3 1/2	1113-1272	1250-1600	ATT2C-3415	4 1/4	10 1/16	7 1/32	4 1/4	3 4/16	3 1/2	5/8							
				4	336-477	350-600	ATT2C-409	4 1/4	9 5/16	6 25/32	3 1/4	2 4/16	2 3/4	1/2							
				4	556.5-795	600-900	ATT2C-4011	4 1/4	10 3/16	6 29/32	3 1/2	2 5/16	2 3/4	1/2							
				4	715-1113	900-1250	ATT2C-4013	4 1/4	10 5/16	7 5/32	3 3/4	3 3/16	2 7/8	1/2							
				4	1113-1272	1250-1600	ATT2C-4015	4 1/4	11 5/16	7 27/32	4 1/4	3 4/16	3 5/16	5/8							
				4	1272-1530	1500-2000	ATT2C-4016	4 1/4	11 9/16	8 5/32	4 1/2	3 5/16	3 1/2	5/8							
				2 1/2	1113-1272	1250-1600	ATT2C-2415	3 3/4	9 7/16	6 29/32	4 1/4	3 4/16	3 1/4	5/8							
				2 1/2	*4-4/0	*4-400	ATT2C-246	3 3/4	7 5/16	5 1/32	3	2 7/16	2 1/4	1/2							
				3	*4-4/0	*4-250	ATT2C-306	4	8 9/16	5 27/32	3	2 7/16	2 1/2	1/2							
				3	1113-1272	1250-1600	ATT2C-3015	4	10 3/16	7 9/32	4 1/4	3 4/16	3 5/16	5/8							
				6	715-1113	900-1250	ATT2C-6013	6	12 15/16	8 19/32	3 3/4	3 3/16	2 7/8	5/8 1/2							
				5	1113-1272	1250-1600	ATT2C-5015	5	12 5/16	8 1/32	4 1/4	3 4/16	3 5/16	5/8							

9-27-02 9 ADDED ITEM ATT2C-70MM11 EC 5603 WSB

R14 \$4.28

DATE 4-2-58  
 DWN BY WS  
 CKD BY  
 APPROVED KS  
 SCALE

ALUMINUM TEE CONNECTOR  
 ALUM TUBE MAIN 90° TO TWO  
 ACSR OR ALUMINUM CABLE TAP

ANDERSON ELECTRIC CORP  
 LEEDS ALABAMA  
 CAT. NO. ATT2C DWG. NO. C-1753

MAIN IPS	CABLE TAP		CATALOG NUMBER	DIMENSIONS IN INCHES						
	ACSR	ALUM		A	B	C	D	E	F	J
5	715-1113	900-1250	ATT2C-5013	5	1 13/16	7 7/32	3 3/4	3 3/16	2 7/8	5/8 & 1/2
3	477-1113	600-1250	ATT2CM-3013 *	4	9 5/16	6 19/32	3 3/4	3 3/16	2 7/8	1/2
6	1272-1590	1500-2000	ATT2C-6216	6	13 1/16	9 1/8	4 1/2	3 15/16	3 3/4	5/8
70MM	556.5-795	600-900	ATT2C-70MML	3-3/4	8-7/16	6-1/32	3-1/2	2-15/16	2-3/4	1/2


REVISIONS		DATE	NO.	DESCRIPTION	BY

REVISIONS		DATE	NO.	DESCRIPTION	BY
		6-17-81	1	ADDED SHEET 3	HDY
		4-18-88	2	ADDED ATT2CM-3013	ADY
		9-27-02	3	ADDED ATT2C-70MML EC 5603	WSB

DATE	6-17-81
DWN BY	HDY
APPROVED	
SCALE	DO NOT

ALUMINUM TEE CONNECTOR  
 ALUM. TUBE MAIN 90° TO TWO ACSR  
 OR ALUMINUM CABLE TAP

R/014 3456789



**ANDERSON**  
 ELECTRICAL CONNECTORS  
 SQUARE D COMPANY  
 LEEDS ALABAMA

CAT. NO. ATT2C - (PER TAB) DWG. NO. C-1753